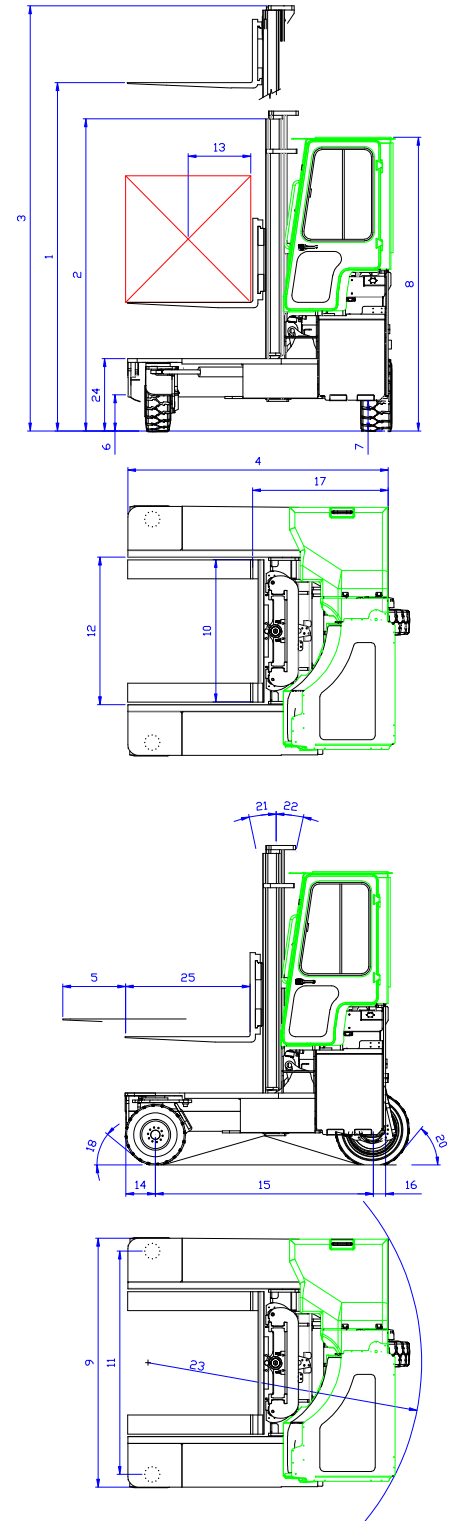


## COMBILIFT – MODEL C5000XLE SPECIFICATION

Ref.	Description	Standard
1a	Max. Lift Height	4040mm
1b	Freelift Height	0mm
2	Height Mast Closed	2990mm
3	Max. (Mast raised)	5005mm
4	Overall Length	2525mm
5	Mast Travel	1300mm
6	Ground Clearance Under Mast	275mm
7	Ground Clearance to Centre of Wheelbase	310mm
8	Height Over Cab (Without work - lights)	2790mm
9	Width	2360mm
10	Outside Spread of Fork Arms	1350mm
11	Track Front	2115mm
12	Frame Opening	1400mm
13	Load Centre Distance	600mm
14	Overhang Front	310mm
15	Wheelbase	2055mm
16	Overhang Back	165mm
17	Length From Face of Fork	1325mm
18	Approach Angle	45°
19	Ramp Angle	29°
20	Departure Angle	45°
21	Forward Tilt	3°
22	Backward Tilt	5°
23	Minimum Outside Radius	2500mm
24	Platform Height	680mm
25	Platform Length	1200mm
A	Capacity	5000kg
B	Unladen Weight	7100kg
C	Maximum Ground Speed	10km/h
D	Gradeability	10%
E	Battery Capacity (V / Ah)	80V / 700Ah
F	Fork Section	150mm x 50mm x 1200mm
G	23x10x12 Super elastic Front Tyre	OD 585mm / Width 254mm
H	355/65-15 Super elastic Rear Tyre	OD 800mm / Width 295mm
I	Standard Colour	Green & Grey
J	AC Electric Traction Motor x 3	80V / 5kW Rear & 2 x 80V 3kW Front
K	AC Electric Pump Motor	80V / 19kW



### Features include

- Rubber Mounted Cabin
- Load Sensing Steering
- 4-way lever positioning of Wheels
- Multi-Direction Operation
- AC Motor Technology
- 3 Wheel Drive



**COMBILIFT**  
Co. Monaghan.  
Ireland  
Tel. +353 47 80500