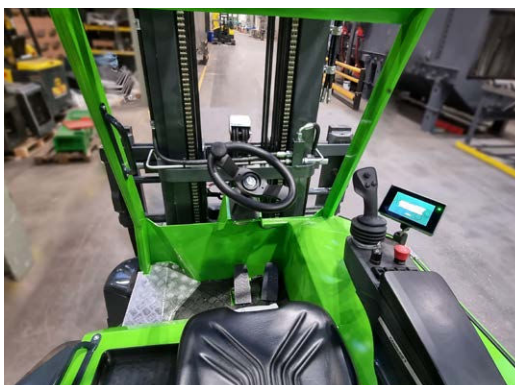


COMBi CUBE

COMBiLiFT

LIFTING INNOVATION

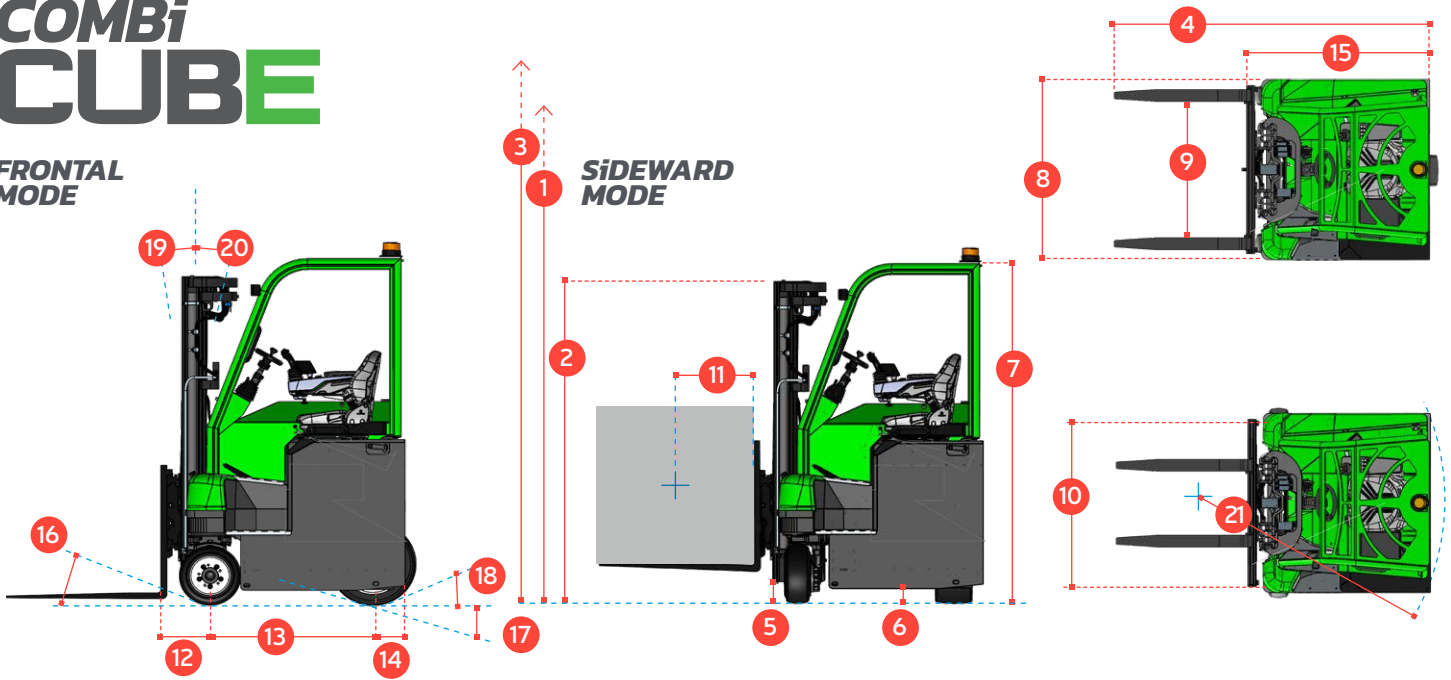
With a wealth of innovative new features such as intelligent seat rotation and our proprietary Dynamic 360[®] Steering System, the Combi-Cube is the next generation counterbalance forklift.



COMBI CUBE

FRONTAL
MODE

SIWARD
MODE



REF.	DESCRIPTION	STD	OPTIONAL		
1a	Standard Lift Height	4000mm	4900mm	5500mm	6000mm
1b	Free Lift Height	0mm	1318mm	1518mm	1683mm
2	Height Mast Closed	2670mm	2243mm	2443mm	2610mm
3	Max. (Mast Raised)	4830mm	5778mm	6378mm	6878mm
4	Overall Length		2640mm		
5	Ground Clearance Under Mast		125mm		
6	Ground Clearance to Wheelbase Centre		100mm		
7	Height of Overhead Guard		2325mm		
8	Width		1500mm		
9	Outside Spread of Fork Arms		1325mm		
10	Track Front		1186mm		
11	Load Centre Distance		600mm		
12	Overhang Front		150mm		
13	Wheelbase		1048mm		
14	Overhang Back		208 mm		
15	Length From Face of Fork		1575mm		
16	Approach Angle		30°		
17	Ramp Angle		15°		
18	Departure Angle		30°		
19	Forward Tilt		3°		
20	Backward Tilt		5°		
21	Minimum Outside Radius		1400mm		
A	Capacity		2500 kg / 3000 kg		
B	Unladen Weight		6750 kg		
C	Maximum Ground Speed		12 km/h		
D	Gradeability		10%		
E	Battery Capacity		48 V / 930 Ah		
F	AC Electric Traction Motor x 2		48 V / 8.7 kW		
G	AC Electric Pump Motor		48 V / 14 kW		
H	Fork Section		125mm x 50mm x 1065mm		
I	16 x 7 – 10.5 Front Tyre x 2		OD 406mm / Width 178mm		
J	22 x 10 x 16 Rear Tyre x 1		OD 559mm / Width 254mm		
K	Standard Colour		Green and Grey		
L	Suspension Seat		Grammer MSG 65		

Intelligent Seat Rotation

The CUBE's patent pending swivel seat automatically swivels 15° to the left or right with the selected direction of travel, maximising driver visibility and reducing strain when travelling in reverse.



Features Include:

- Ergonomic cabin
- Multi-directional operation
- Powered by AC technology
- Dynamic 360° Steering
- Rubber Mounted Cabin
- Centrally Positioned Operator
- 2 Interchangeable Rollout Batteries
- Rotating Seat

2 Interchangeable Rollout Batteries



- Design Copyright Application No. - 015019216-0001
- Design Copyright Application No. - 015019216-0002

COMBILIFT HAS A POLICY OF CONTINUOUS PRODUCT DEVELOPMENT AND RESERVES THE RIGHT TO ALTER SPECIFICATIONS WITHOUT PRIOR NOTICE. SPECIFICATIONS AND/OR DIMENSIONS MAY VARY FROM THOSE ILLUSTRATED IN SOME COUNTRIES.